



Class II • Type 2

Location of Use: Sub-Distribution Boards

Mode of Protection: (DC+) - PE, (DC-) - PE

Surge Ratings: $I_n = 20 \text{ kA}$ (8/20 μs)

IEC/EN/UL Category: Class II / Type 2

Protective Elements: High Energy MOV

Housing: Pluggable Design

Compliance: IEC 61643-31:2018

EN 50539-11:2013+A1:2014

■ Technical Data

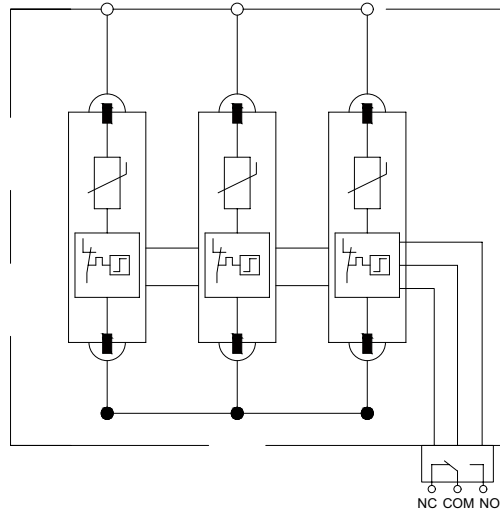
IEC Electrical		600
Nominal DC Voltage	U_o / U_n	600V
Maximum Continuous Operating Voltage (DC)	U_c	600V
Nominal Discharge Current (8/20 μs)	I_n	20 kA
Maximum Discharge Current (8/20 μs)	I_{max}	40 kA
Impulse Discharge Current (10/350 μs)	I_{imp}	6.25kA
Voltage Protection Level	U_p	2.2kV
Response Time	t_A	< 25 ns
Back-Up Fuse (max)		125 A gL / gG
Short-Circuit Current Rating (AC)	I_{SCCR}	25 kA / 50 kA
Mechanical & Environmental		
Operating Temperature Range	T_a	-40°F to +158°F [-40°C to +70°C]
Permissible Operating Humidity	RH	5%...95%
Atmospheric pressure and altitude		80k Pa ... 106k Pa / -500 m.....2000 m
Terminal Screw Torque	M_{max}	39.9 lbf-in [4.5 Nm]
Conductor Cross Section (max)		2 AWG (Solid, Stranded) / 4 AWG (Flexible)
		35 mm ² (Solid, Stranded) / 25 mm ² (Flexible)
Mounting		35 mm DIN Rail, EN 60715
Degree of Protection		IP 20 (built-in)
Housing Material		Thermoplastic: Extinguishing Degree UL 94 V-0
Thermal Protection		Yes
Operating State / Fault Indication		Green ok / Red defect
Remote Contacts (RC)		Optional
RC Switching Capacity		AC: 250V / 0.5 A; DC: 250V / 0.1 A; 125V / 0.2 A; 75V / 0.5 A
RC Conductor Cross Section (max)		16 AWG (Solid) / 1.5 mm ² (Solid)

LY1-C40PV/3(S) 600V

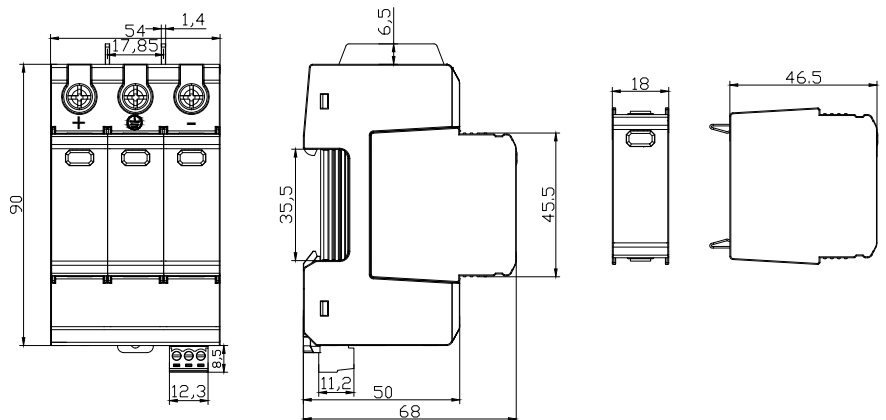
Pluggable Multi-Pole SPD



Internal Configuration



Dimensions & Packaging



Connection Diagram

